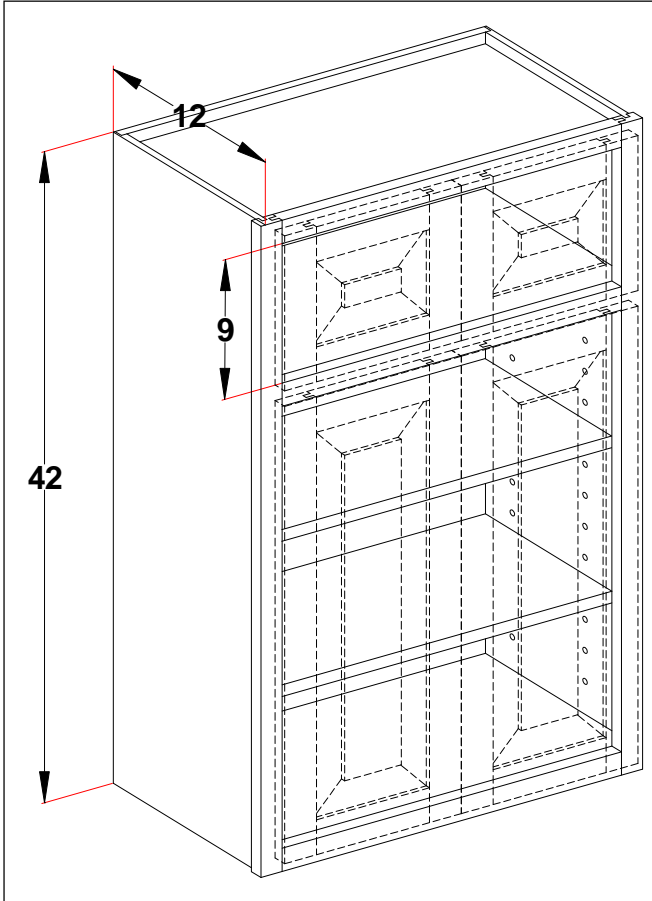
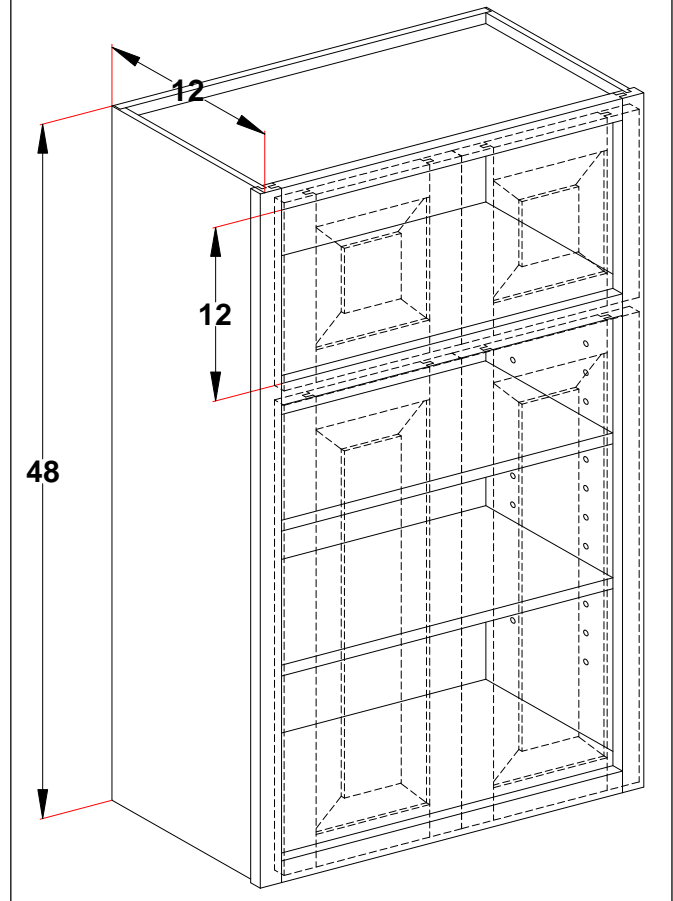


**Wall Cabinet Stacked 42" Tall 12" Deep
Framed & Frameless**



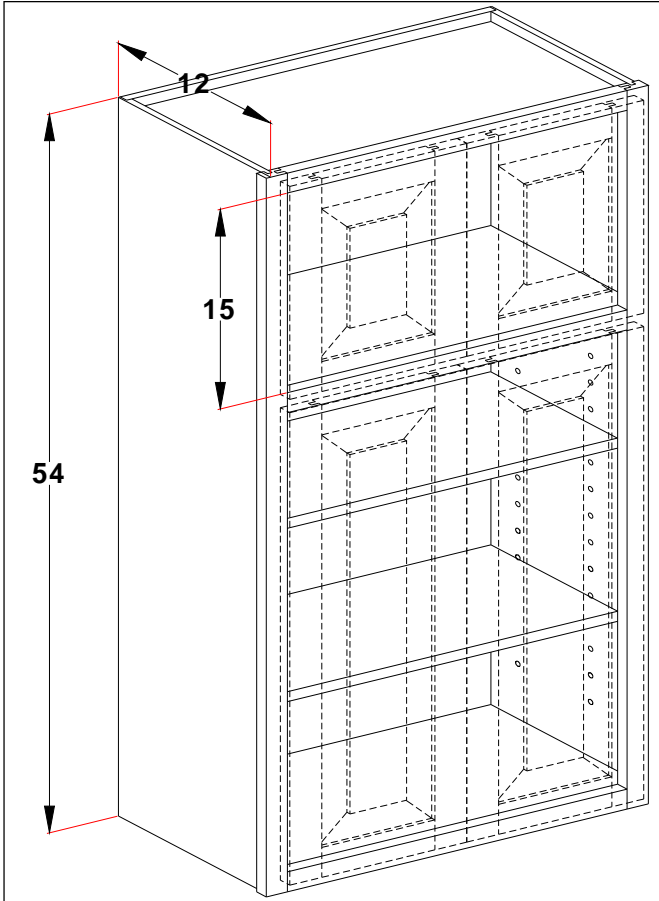
Cabinet	List Price	(1) Single hung specify left or right hinge.
WCS942(1)	684	
WCS1242(1)	727	(2) 2 door Butt doors
WCS1542(1)	770	(3) 2 door w/mullion.
WCS1842(1)	813	(frameless will have partition instead of mullion)
WCS2142(1)	858	
WCS2442(1)	901	* - not available in Frameless
WCS2742(2)	1022	
WCS3042(2)	1057	
WCS3342(2)	1109	
WCS3642(2)	1144	
WCS3942(3)	1208	
WCS4242(3)	1244	
WCS4542(3)*	1295	
WCS4842(3)*	1330	

**Wall Cabinet Stacked 48" Tall 12" Deep
Framed & Frameless**



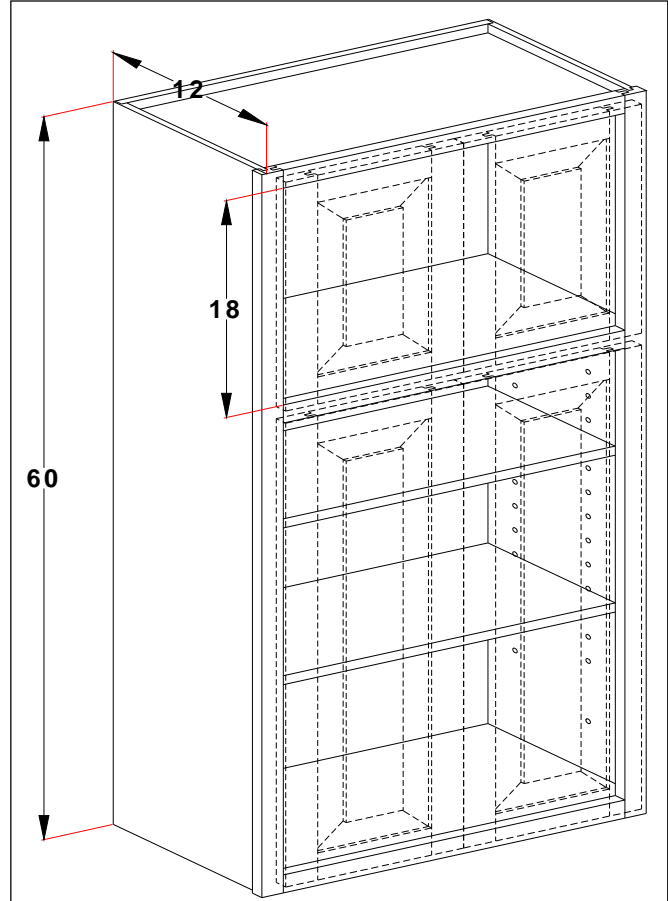
Cabinet	List Price	(1) Single hung specify left or right hinge.
WCS948(1)	737	
WCS1248(1)	786	(2) 2 door Butt doors
WCS1548(1)	835	(3) 2 door w/mullion.
WCS1848(1)	884	(frameless will have partition instead of mullion)
WCS2148(1)	936	
WCS2448(1)	985	* - not available in Frameless
WCS2748(2)	1116	
WCS3048(2)	1156	
WCS3348(2)	1215	
WCS3648(2)	1255	
WCS3948(3)	1328	
WCS4248(3)	1370	
WCS4548(3)*	1428	
WCS4848(3)*	1468	

**Wall Cabinet Stacked 54" Tall 12" Deep
Framed & Frameless**



Cabinet	List Price	(1) Single hung specify left or right hinge.
WCS954(1)	790	
WCS1254(1)	845	(2) 2 door Butt doors
WCS1554(1)	900	(3) 2 door w/mullion.
WCS1854(1)	955	(frameless will have partition instead of mullion)
WCS2154(1)	1013	
WCS2454(1)	1069	* - not available in Frameless
WCS2754(2)	1209	
WCS3054(2)	1254	
WCS3354(2)	1321	
WCS3654(2)	1366	
WCS3954(3)	1448	
WCS4254(3)	1495	
WCS4554(3)*	1560	
WCS4854(3)*	1605	

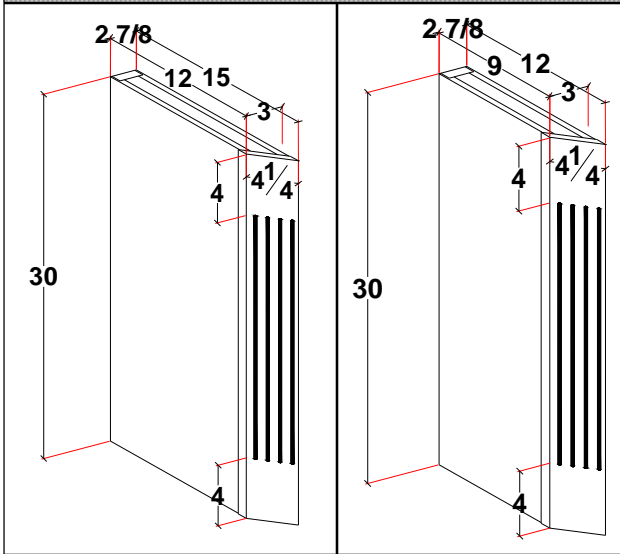
**Wall Cabinet Stacked 60" Tall 12" Deep
Framed & Frameless**



Cabinet	List Price	(1) Single hung specify left or right hinge.
WCS960(1)	842	
WCS1260(1)	904	(2) 2 door Butt doors
WCS1560(1)	965	(3) 2 door w/mullion.
WCS1860(1)	1026	(frameless will have partition instead of mullion)
WCS2160(1)	1091	
WCS2460(1)	1152	* - not available in Frameless
WCS2760(2)	1303	
WCS3060(2)	1353	
WCS3360(2)	1427	
WCS3660(2)	1477	
WCS3960(3)	1568	
WCS4260(3)	1620	
WCS4560(3)*	1693	
WCS4860(3)*	1743	

Wall Cabinets

Angled fluted columns (WOOD ORDER ONLY)



Specify left or right

Flutes will stop 4" from top and bottom

12" Deep column specify (WFC12--)N/C

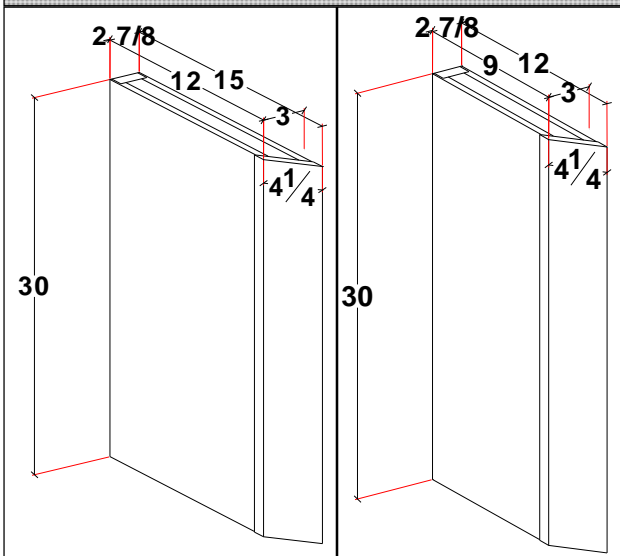
Left shown

Short side finished — 1/2" end panel with 1/4" BB1 applied.

Long side may be finished by request. Standard finished end charge applies.

Acc.	List cost
W AFC1512	501
W AFC1515	518
W AFC1518	528
W AFC1521	533
W AFC1524	538
W AFC1527	545
W AFC1530	550
W AFC1533	561
W AFC1536	572
W AFC1539	579
W AFC1542	585
W AFC1545	619
W AFC1548	653
W AFC1554	685
W AFC1560	720

Angled smooth columns (WOOD ORDER ONLY)



Specify left or right

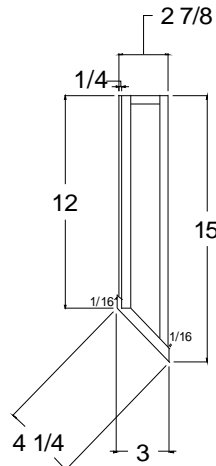
12" Deep column specify (WSC12--)N/C

Left shown

Short side finished — 1/2" end panel with 1/4" BB1 applied.

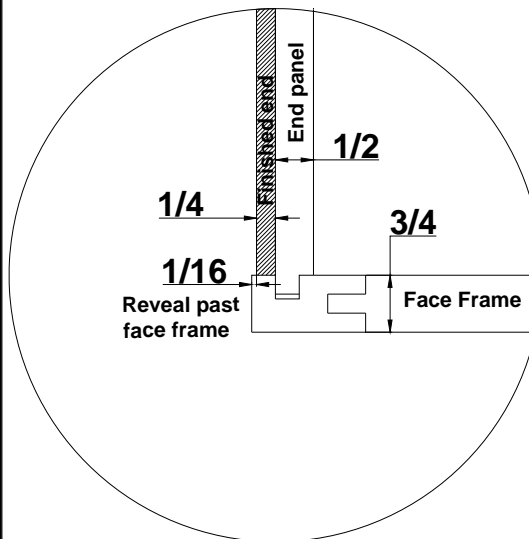
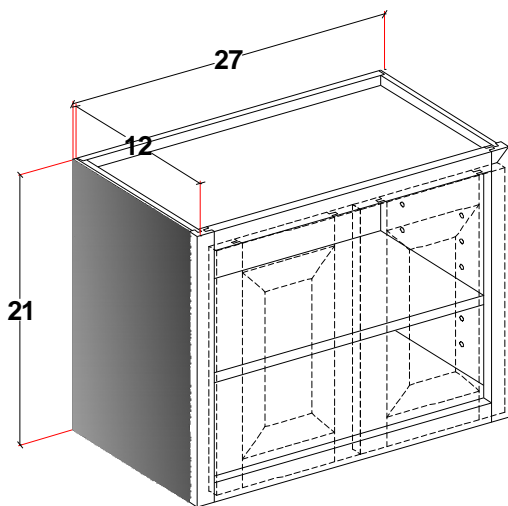
Long side may be finished by request. Standard finished end charge applies.

Acc.	List cost
W ASC1512	501
W ASC1515	518
W ASC1518	528
W ASC1521	533
W ASC1524	538
W ASC1527	545
W ASC1530	550
W ASC1533	561
W ASC1536	572
W ASC1539	579
W ASC1542	585
W ASC1545	619
W ASC1548	653
W ASC1554	685
W ASC1560	720



Wall Cabinets accessories

Wall finished end - **FRAMED AND FRAMELESS**



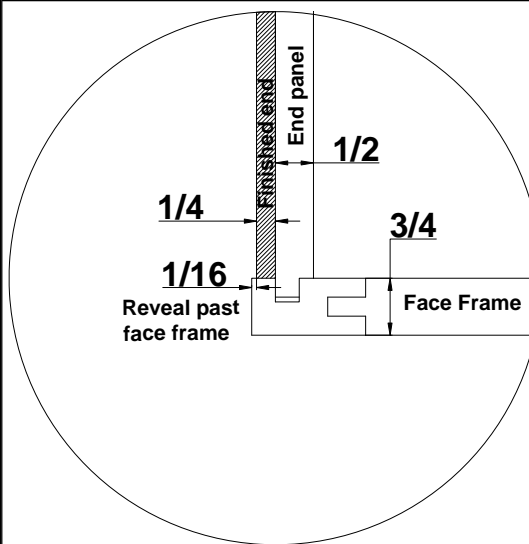
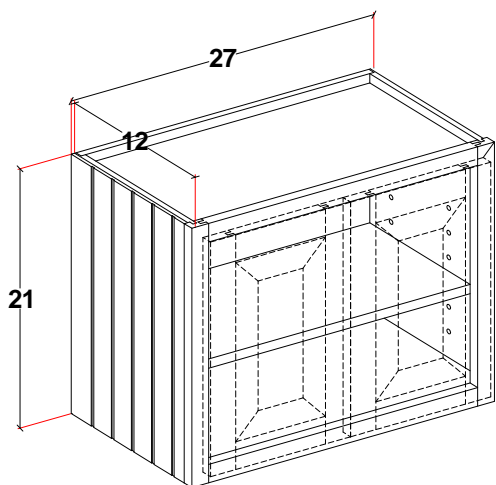
Acc.	List cost
WFE	34 ea.

Specify left or right

Finished ends are made with plywood that has an MDF core for framed cabinets.

For frameless a matching material will be applied to side of cabinet

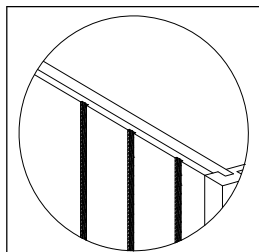
Wall beaded finished end - **FRAMED AND FRAMELESS (WOOD ORDERS ONLY)**



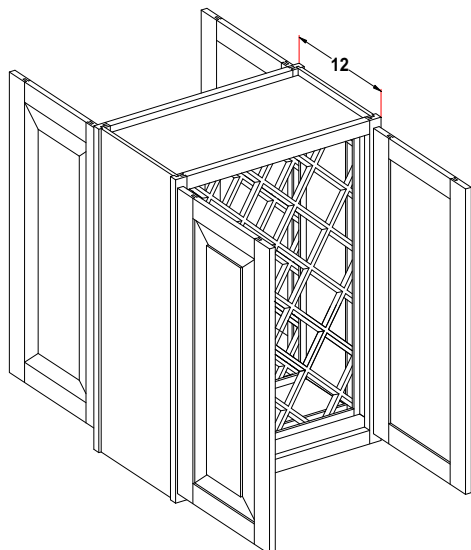
Acc.	List cost
WBFE	52 ea.

Specify left or right

Beads are cut into plywood exposing inner core. As shown below.



WR—Wine Rack



Example: Wall peninsula cabinet. Removed shelves and installed wine rack. The lattice is flush to the back.

Acc.	List cost
WR	176

Wine rack lattice may be added to any **opening** that is within the following parameters.

Minimum height is 9".

Minimum width 9".

Maximum height 31".

Maximum width 31".

Maximum depth 15"

The charge of \$176 is for the lattice material only.

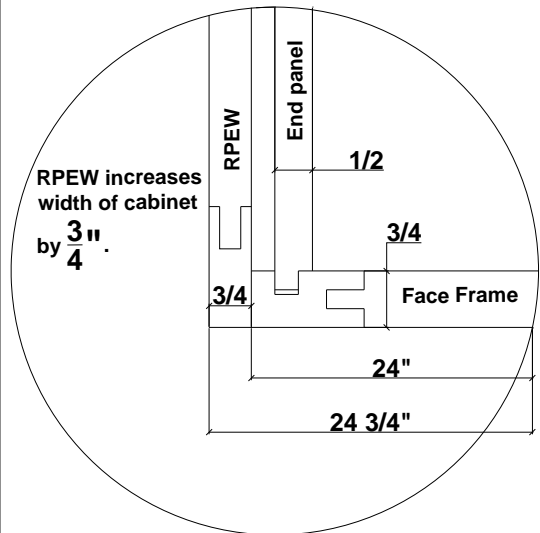
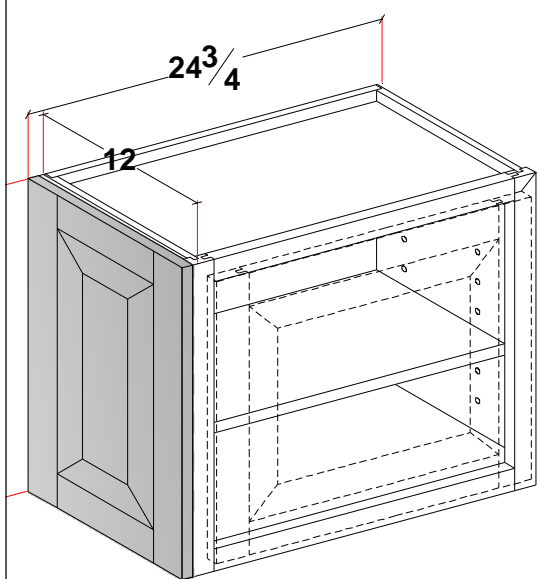
If stained interior is needed, use Mod31, priced separately.

If partition is needed, use Mod28. Please specify location of partition. Priced separately.

Specify if lattice is to be flush to the front or back of cabinet.

Wall Cabinets accessories

Wall raised end panel - **FRAMED**

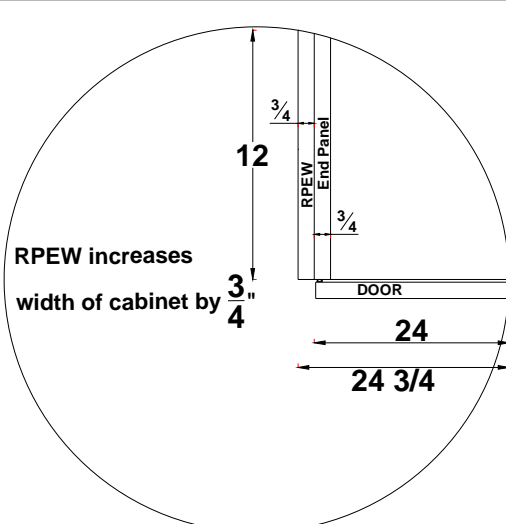
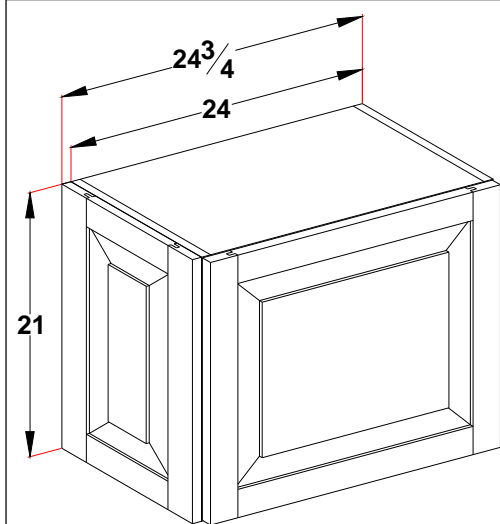


Acc.	List cost
RPEW	243 ea

Has 5/16" radius on front edge (MOD 11R)
N/C (Except "F" Profile)

Specify Right/Left installation, installed at factory.

Wall raised end panel - **FRAMELESS**

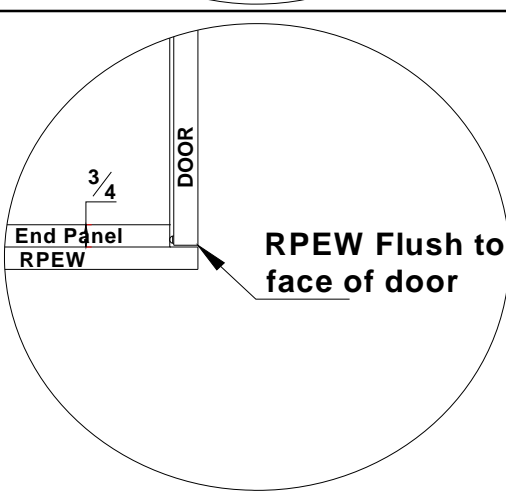
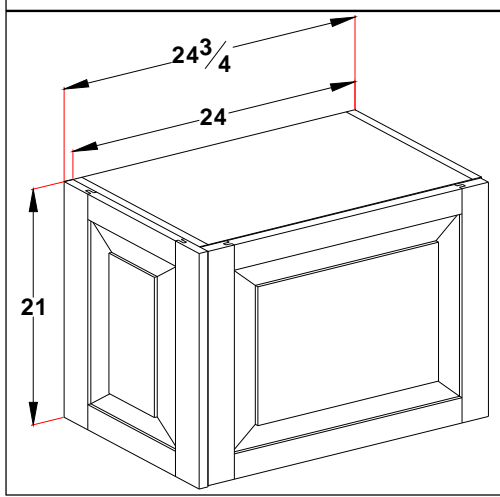


Acc.	List cost
RPEW	243 ea

Specify Right/Left installation, installed at factory.

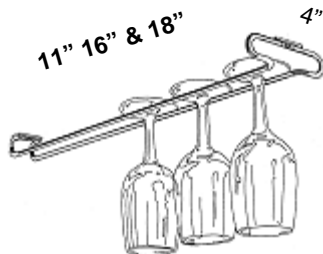
Standard installation placed RPE flush to face of cabinet as illustrated in picture to the left.

You may request that the RPE be installed flush to face of door as illustrated in the picture at lower left. N/C



Wall Cabinets accessories

Chrome stemware racks - **FRAMED AND FRAMELESS** (Subject to availability)



Shipped loose

Width 4"

Depth 11", 16" & 18"

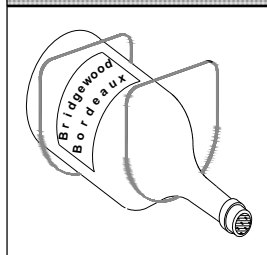
Height 1"

Inner dimension for stemware: 3-1/2"

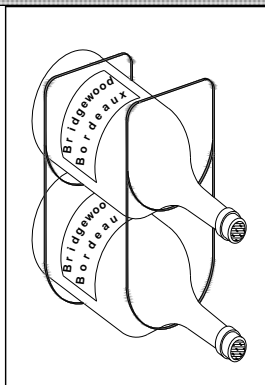
Mounts underneath cabinet

	Acc.	List cost
	SWC11	23
	SWC16	25
	SWC18	26

Chrome bottle racks - **FRAMED AND FRAMELESS** (Subject to availability)



Shipped loose



	Acc.	List cost
Single	SBRLC	25
Double	DBRC	32

Single: Width 4", Depth 6-1/2",
Height 4-1/2"

Double: Width 4", Depth 6-1/2",
Height 9"

Depth refers to recommended spacing between individual brackets. Bottle lengths vary.

Chrome combination stemware / bottle rack - **FRAMED AND FRAMELESS** (Subject to availability)



Width 4"

Depth 11"

Height 11-1/2"

Inner dimension for stemware: 3-1/2"

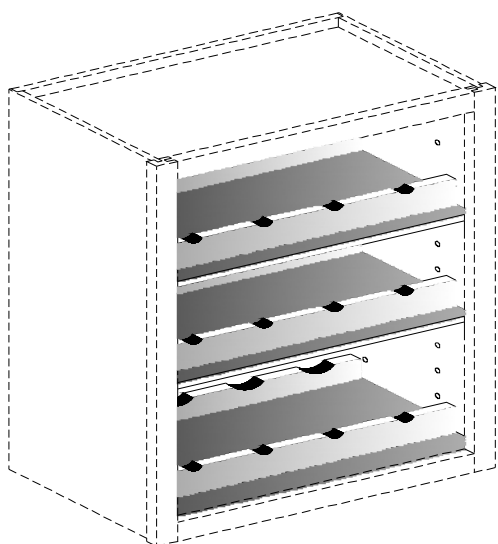
Mounts under cabinet

Shipped loose

	Acc.	List cost
	SWBRC	40

Wall Cabinets accessories

Shelf wine rack



Specify left or right

Adjustable. Limited to 1" increments on spacing

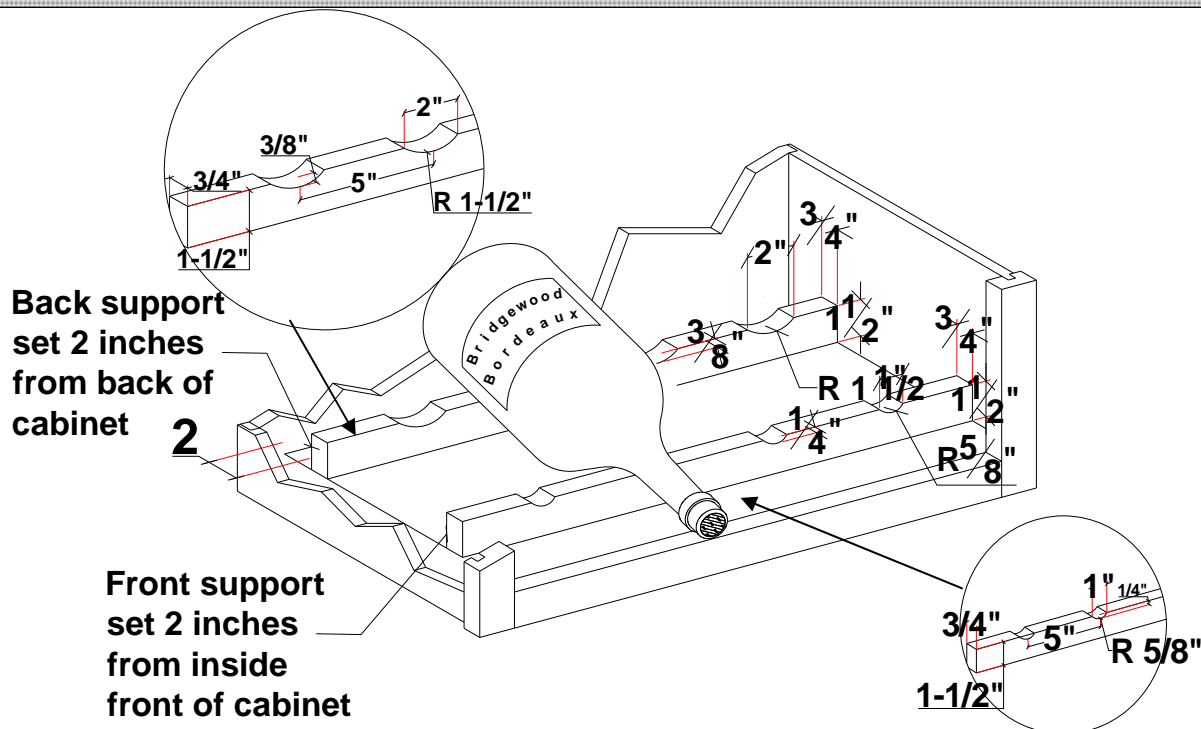
Minimum width cabinet is 9"

Maximum width cabinet is 36"

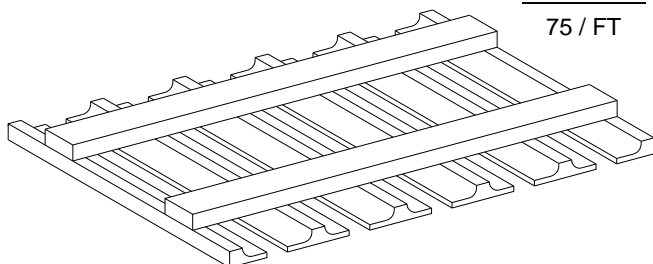
To change to non-adjustable (fixed) shelves add 176.00 to price of cabinet.

If cabinet is modified over 12" deep, rack will be flushed to front of shelf. If this is not what is desired then a CQC must be generated.

Acc.	List cost
SWR-A	265 ea
SWR-F	265 ea + 176 per cabinet



Stemware Rack



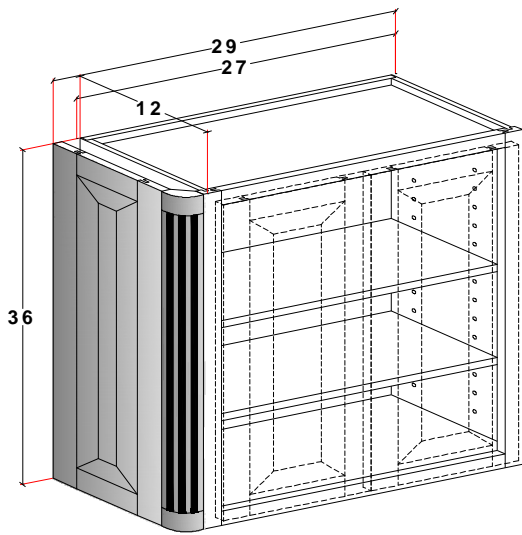
SW
75 / FT

Priced by linear foot ONLY, up to next whole foot.

NOTE: The Stemware rack CAN NOT be ordered separately. It will be installed on the specified cabinet.

Wall Cabinets accessories

Fluted radius corner raised panel - **FRAMED ONLY NOT AVAILABLE ON FRAMELESS**



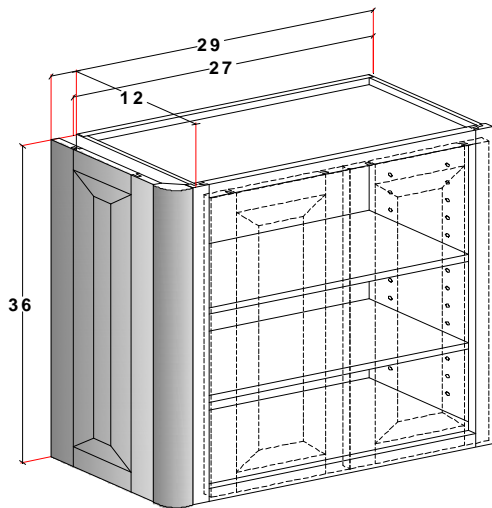
Specify left or right

Price does not fluctuate on cabinet depth change up to 15" deep. For depths greater than 15" refer to the E-catalog program.

Factory installed

Acc.	List cost
RCRPW	338

Smooth radius corner raised panel - **FRAMED ONLY NOT AVAILABLE ON FRAMELESS**



Specify left or right

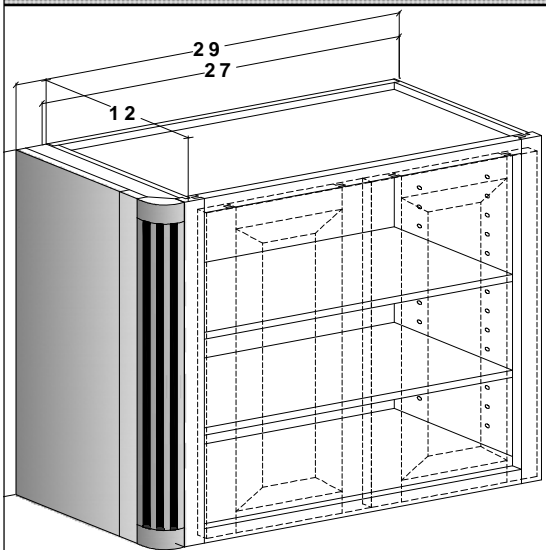
Price does not fluctuate on cabinet depth change up to 15" deep. For depths greater than 15" refer to the E-catalog program.

Factory installed

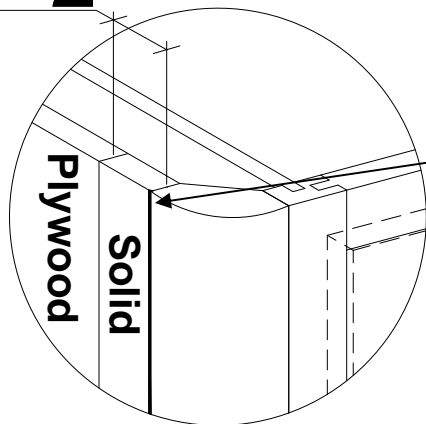
Acc.	List cost
SRCPW	439

Wall Cabinets accessories

Fluted radius corner veneer panel - **FRAMED ONLY NOT AVAILABLE ON FRAMELESS**



1 1/2



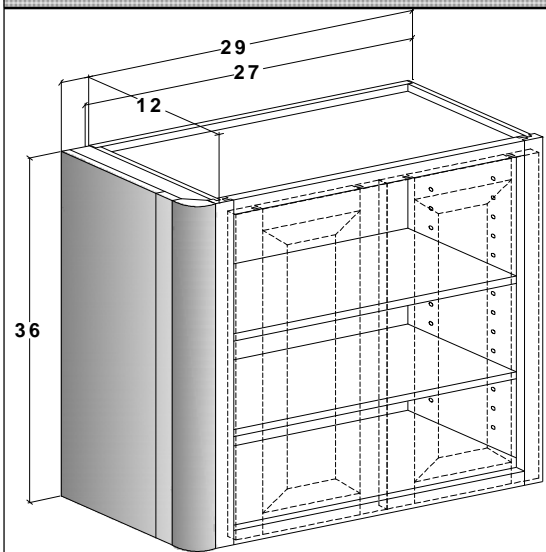
Acc.	List cost
RCVPW	338

Specify left or right

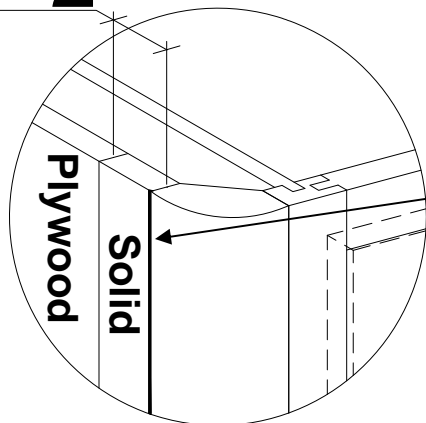
Factory installed

There is a slight chamfer where side panel meets radius corner. This chamfer exposes the plywood core. When stained the chamfer will be darker.

Smooth radius corner veneer panel - **FRAMED ONLY NOT AVAILABLE ON FRAMELESS**



1 1/2



Acc.	List cost
SRCVPW	439

Specify left or right

Factory installed

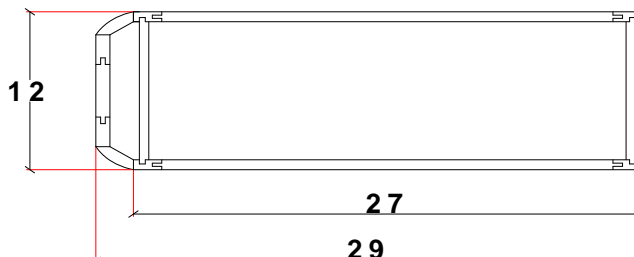
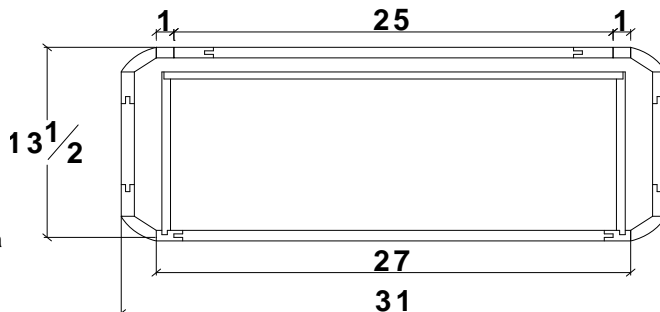
There is a slight chamfer where side panel meets radius corner. This chamfer exposes the plywood core. When stained the chamfer will be darker.

Our radius corners may be ordered with double radius. The picture at the top displays the double radius applied left and right. Radius corner can be made deeper than the cabinet and a bar back can then be applied to complete the assembly giving you a furniture appearance. Standard return on the back of our extended radius corners is 1". If you need more, please specify.

The picture at right bottom shows a single double radius corner attached to a peninsula cabinet that is the same depth as the cabinet. Radius corners must clear the back of the cabinet by at least 1" unless there is a face frame to attach to.

There are 2 methods to apply crown molding to wall cabinets with radius corners.

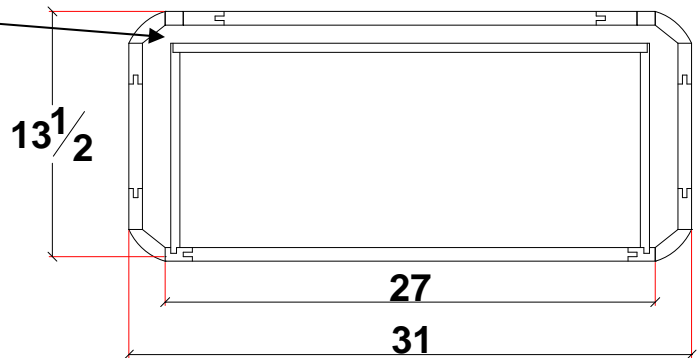
1. If medium crown is being used you may order our RCC's, Radius corner caps (see picture next page). This gives you a transitional piece from side to front.
2. You may order our wall and tall radius corners with a 2" X 2" square block applied at the top to give you a true 90 degree corner to transition "around" the corner (see picture next page).



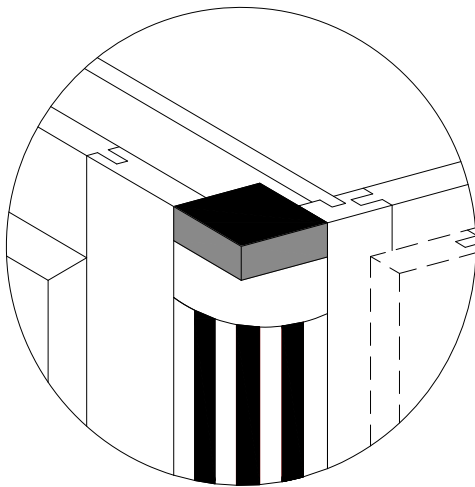
Wall Cabinets accessories

Picture at right shows Bar Back installed.

Field installed



Square Radius Corner - **FRAMED ONLY NOT AVAILABLE ON FRAMELESS**

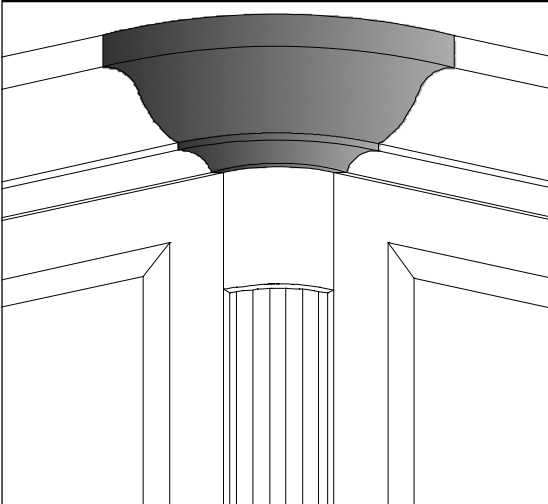


Top radius block is dropped down 3/4" to accept a 2" X 2" square block, allowing the use of mitered crown molding.

Please specify when ordering . SQRC is applied at factory.

Acc.	List cost
SQRC	41

Radius Corner Cap - **FRAMED ONLY NOT AVAILABLE ON FRAMELESS** (Subject to availability)



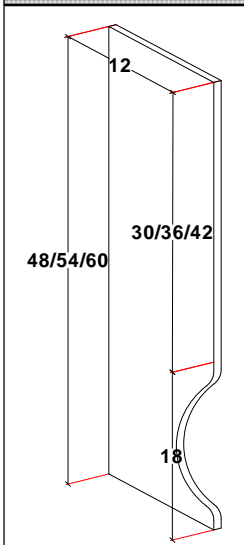
Can only be used in conjunction with medium crown molding.

Radius Corner Cap is end grain wood and will always stain 1 to 2 shades darker than the rest of your order.

Acc.	List cost
RCC	199

Wall Cabinets accessories

Hutch ends (shipped loose) - **FRAMED AND FRAMELESS (WOOD ORDERS ONLY)**



Acc.	List cost
HE48	311
HE54	331
HE60	365

Hutch ends add 3/4" to the width of the cabinet.

cabinet.

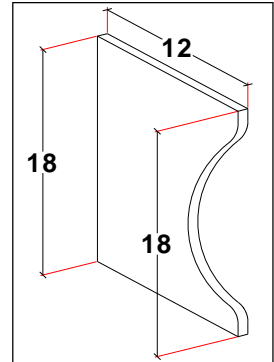
Shipped loose

Installed in field

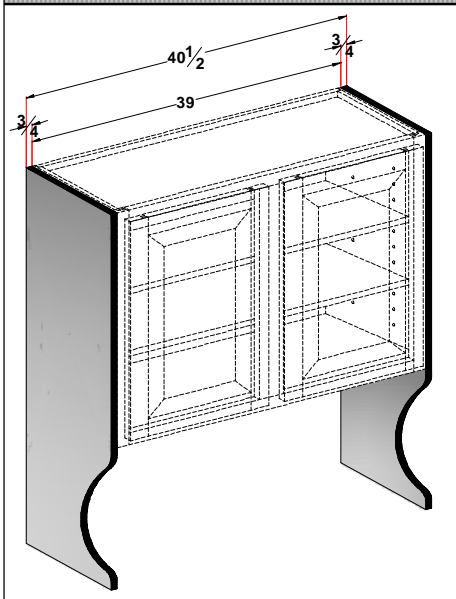
HEADD Shipped loose

Installed in field

HEADD installs to the bottom of cabinet



Hutch ends (factory installed) - **FRAMED AND FRAMELESS (WOOD ORDERS ONLY)**



Hutch ends add 3/4" to the width of the cabinet.

Factory installed

Specify left, right or both

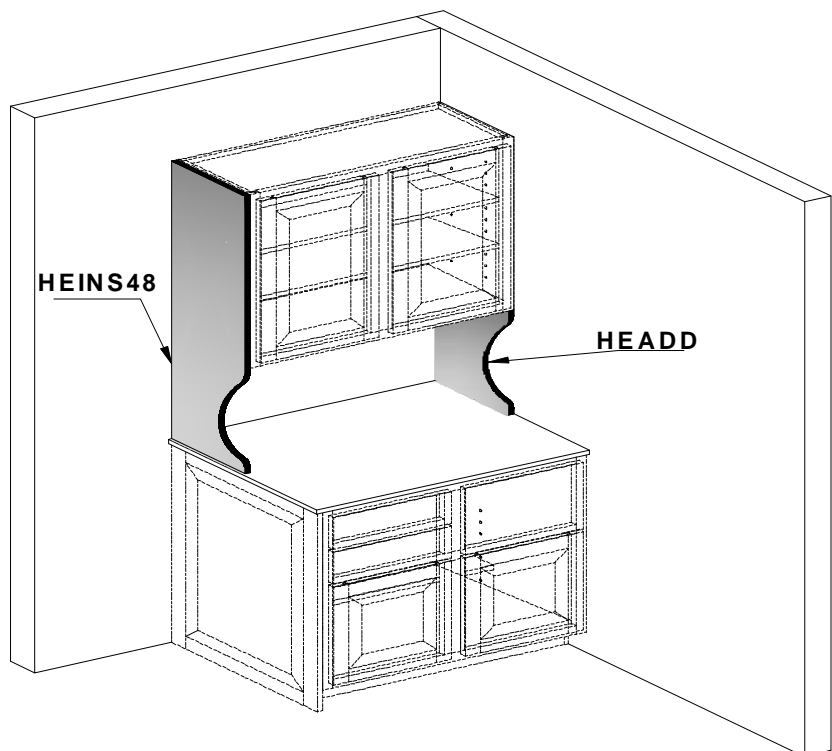
Picture at left shows HEINS installed on the left and the right

Acc.	List cost
HEINS48	396
HEINS54	416
HEINS60	450

Picture at right for illustration only.

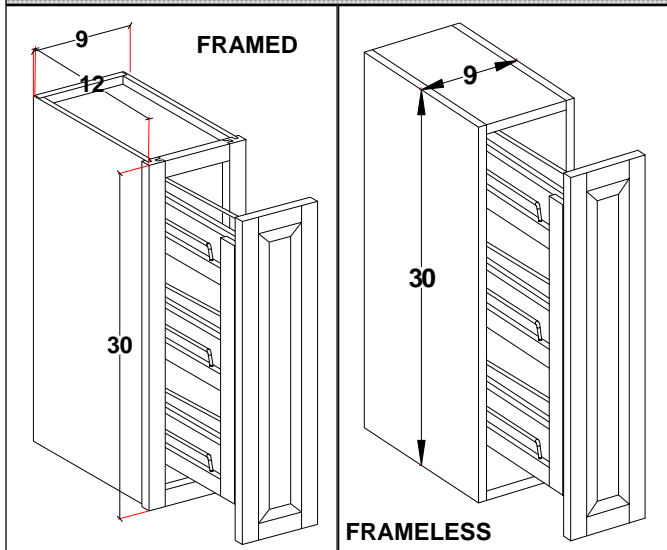
Shows the HEINS and HEADD installed on cabinet.

HEINS was installed at the factory while the HEADD was installed at the time the cabinet was installed in the field.



Wall Cabinets accessories

Wall cabinet with door mounted pull out spice rack 30" Tall - **FRAMED AND FRAMELESS**



Cabinet	List cost
WWSR930	580
WWSR1230	793

Size modifications are not allowed on the spice pullout cabinets.

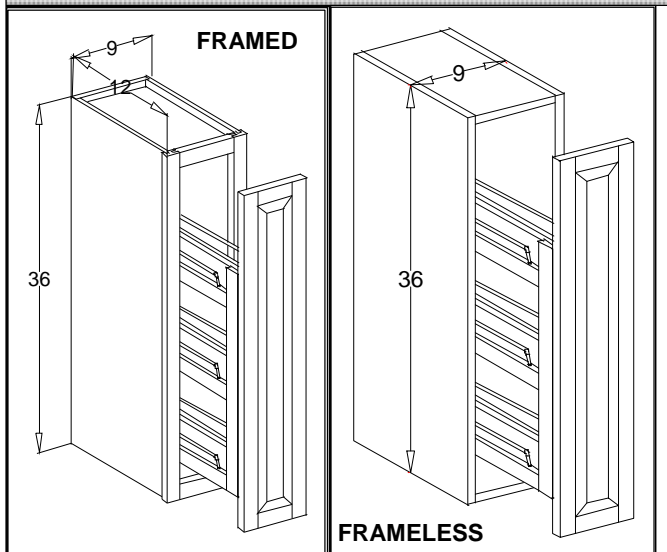
Wooden pull-outs with chrome rails feature "tri-slides" for complete stability and easy installation.

Full extension is standard.

Door mounted only.

(Subject to availability)

Wall cabinet with door mounted pull out spice rack 36" Tall - **FRAMED AND FRAMELESS**



Cabinet	List cost
WWSR936	670
WWSR1236	890

Size modifications are not allowed on the spice pullout cabinets.

Wooden pull-outs with chrome rails feature "tri-slides" for complete stability and easy installation.

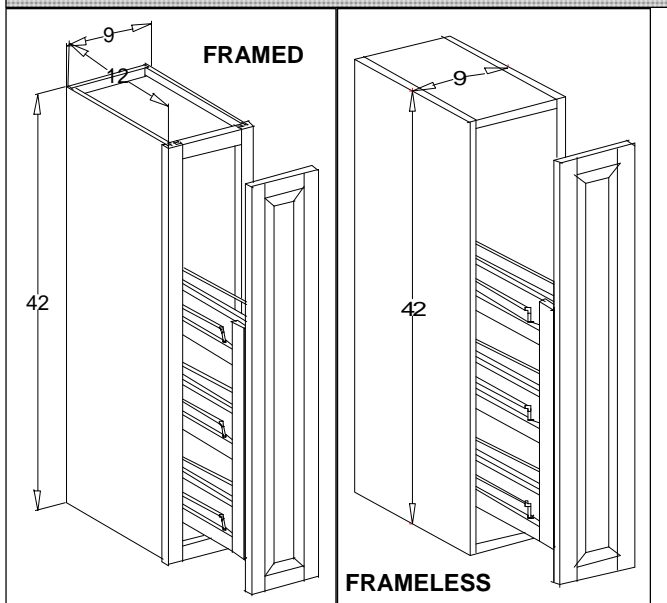
Full extension is standard.

Door mounted only.

Spice rack is 30" tall. See picture at left

(Subject to availability)

Wall cabinet with door mounted pull out spice rack 42" Tall - **FRAMED AND FRAMELESS**



Cabinet	List cost
WWSR942	684
WWSR1242	908

Size modifications are not allowed on the spice pullout cabinets.

Wooden pull-outs with chrome rails feature "tri-slides" for complete stability and easy installation.

Full extension is standard.

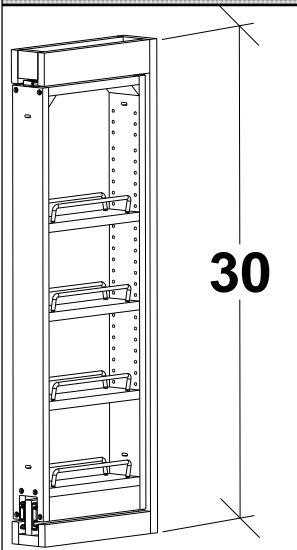
Door mounted only.

Spice rack is 30" tall. See picture at left

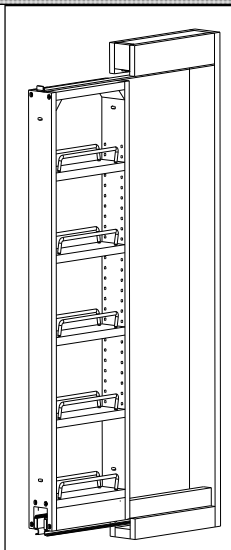
(Subject to availability)

Wall Cabinets accessories

Wall filler spice rack 30" Tall - FRAMED AND FRAMELESS (Subject to availability)



30

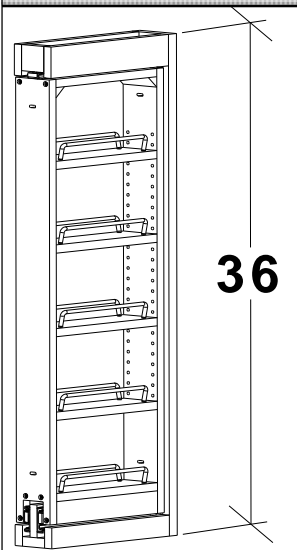


Cabinet	List cost
WFSR330	777
Cabinet	List cost
WFSR630	817

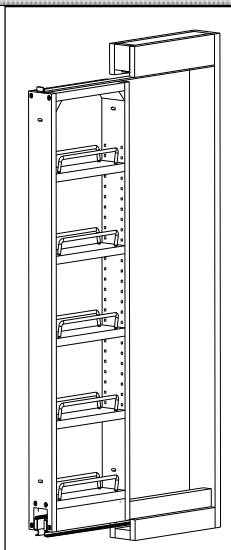
WFSR's are designed to be installed between the stiles of the adjoining cabinets to resemble a filler piece between 2 cabinets. Cabinet comes with no end panels. It is open on the left and right. Cabinet cannot be modified in width, height or depth. To see cabinets installed go to page W68, W69 & W70. Spice rack comes with full extension ball bearing guides. Some form of handle, not supplied, will need to be applied to pullout spice rack. Cabinet is a true 3" or 6" width.

Filler included with unit

Wall filler spice rack 36" Tall - FRAMED AND FRAMELESS (Subject to availability)



36

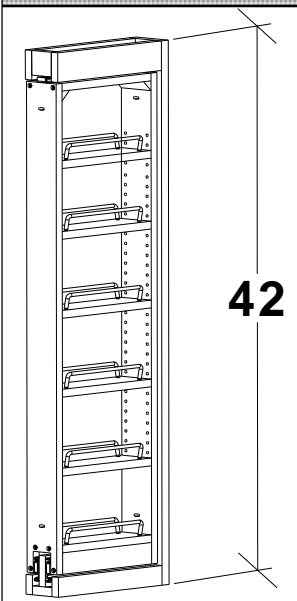


Cabinet	List cost
WFSR336	793
Cabinet	List cost
WFSR636	843

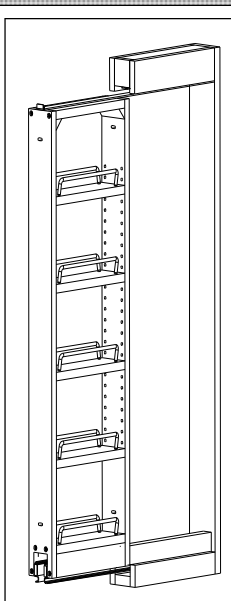
WFSR's are designed to be installed between the stiles of the adjoining cabinets to resemble a filler piece between 2 cabinets. Cabinet comes with no end panels. It is open on the left and right. Cabinet cannot be modified in width, height or depth. To see cabinets installed go to page W68, W69 & W70. Spice rack comes with full extension ball bearing guides. Some form of handle, not supplied, will need to be applied to pullout spice rack. Cabinet is a true 3" or 6" width.

Filler included with unit

Wall filler spice rack 42" Tall - FRAMED AND FRAMELESS (Subject to availability)



42



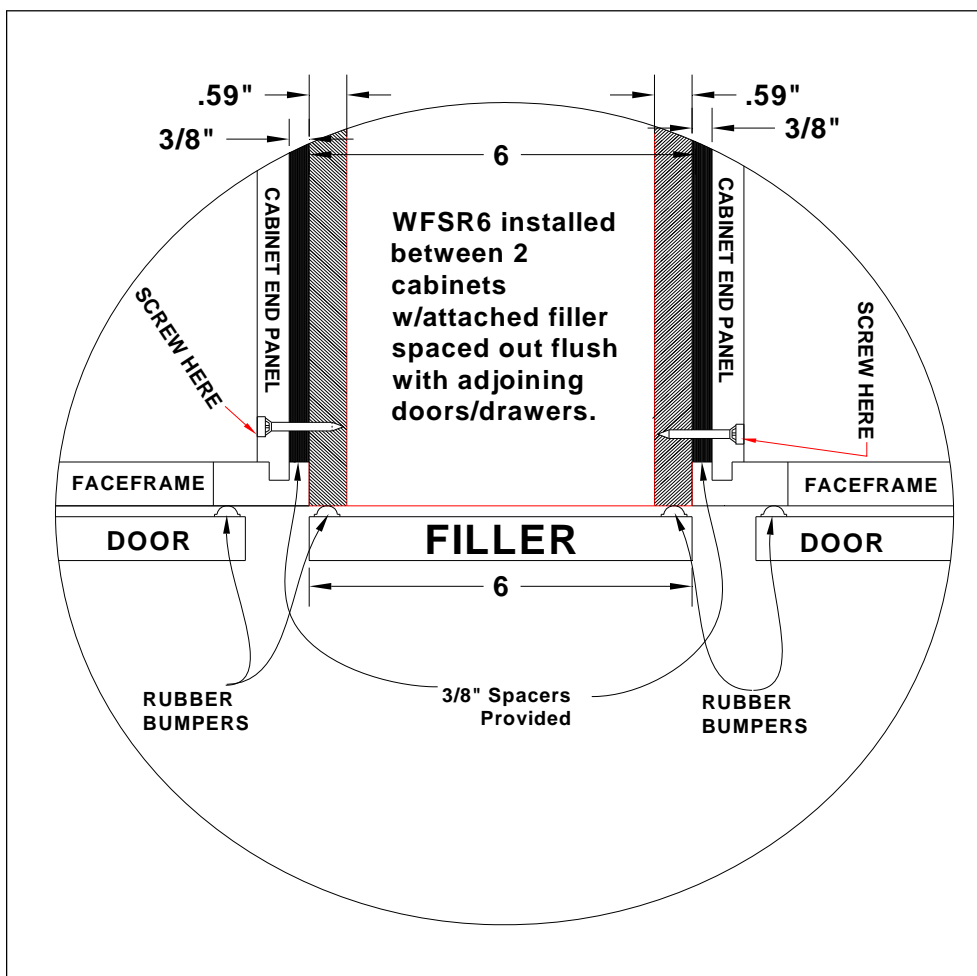
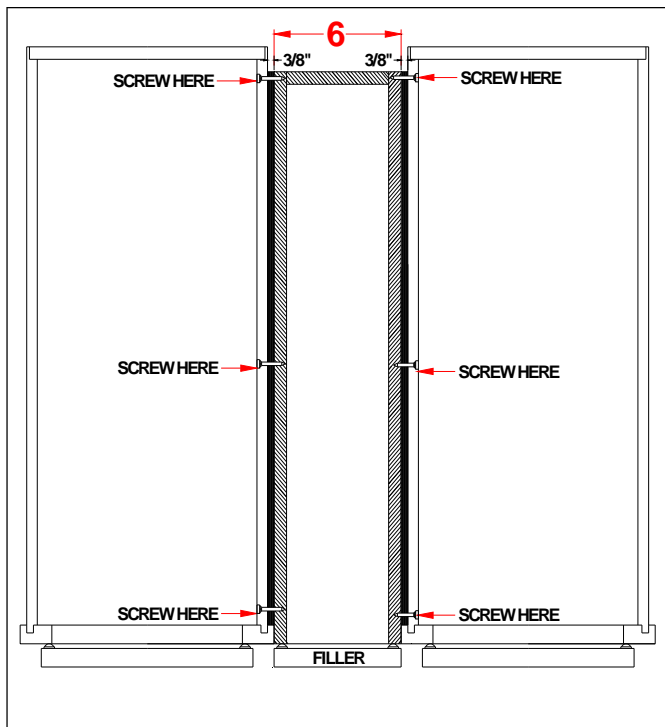
Cabinet	List cost
WFSR342	813
Cabinet	List cost
WFSR642	867

WFSR's are designed to be installed between the stiles of the adjoining cabinets to resemble a filler piece between 2 cabinets. Cabinet comes with no end panels. It is open on the left and right. Cabinet cannot be modified in width, height or depth. To see cabinets installed go to page W68, W69 & W70. Spice rack comes with full extension ball bearing guides. Some form of handle, not supplied, will need to be applied to pullout spice rack. Cabinet is a true 3" or 6" width.

Filler included with unit

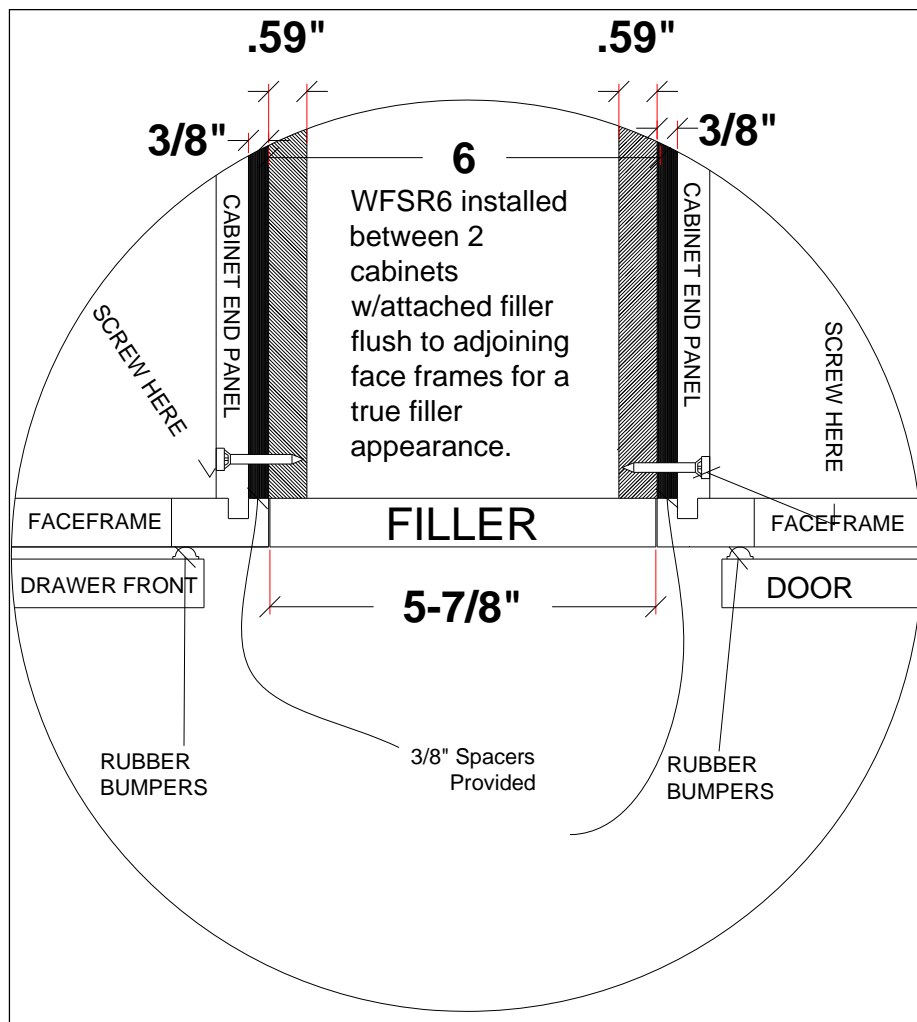
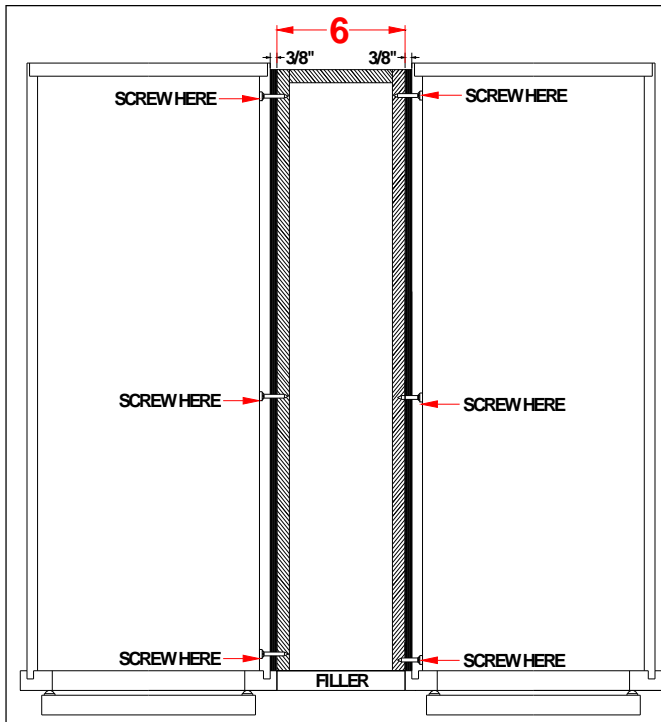
Wall Cabinets accessories

Framed cabinet installation



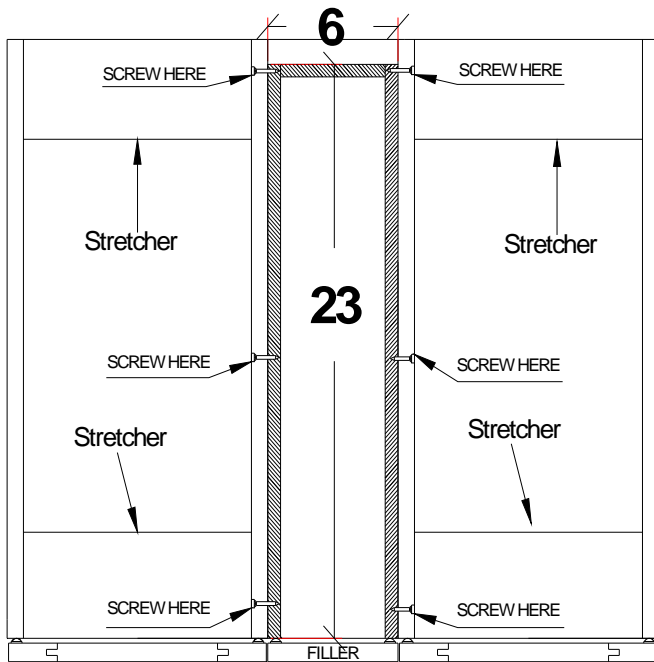
Wall Cabinets accessories

Framed cabinet installation



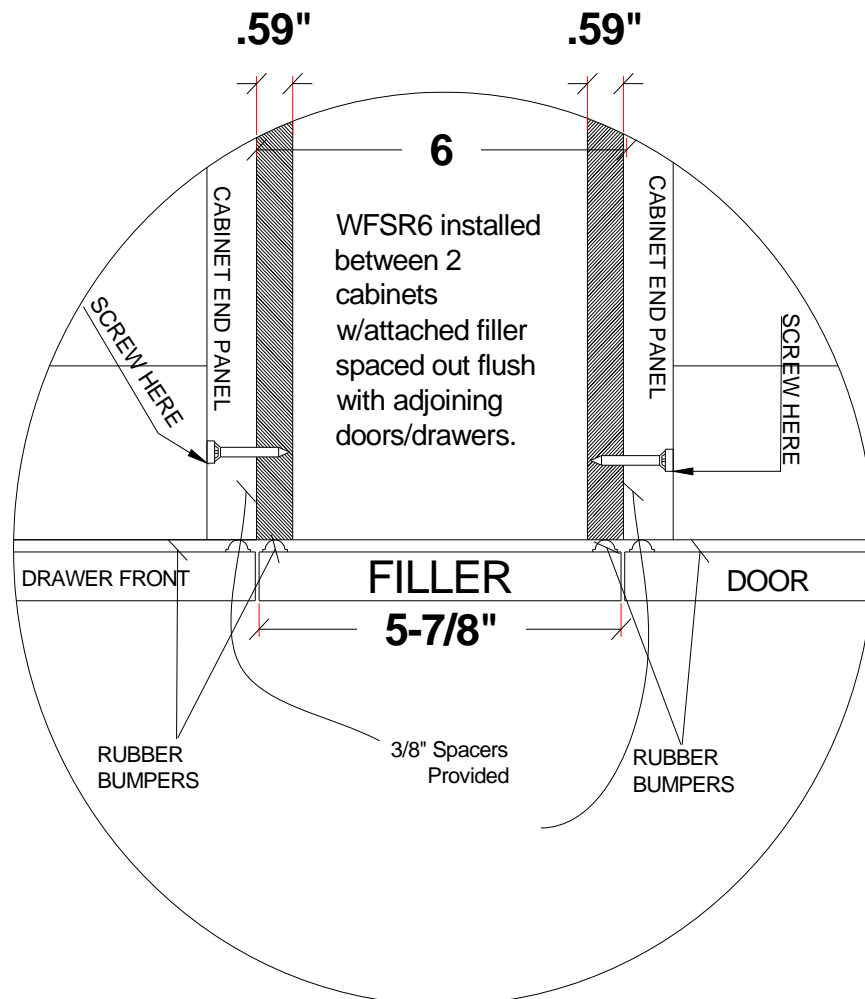
Wall Cabinets accessories

FRAMELESS CABINET INSTALLATION.



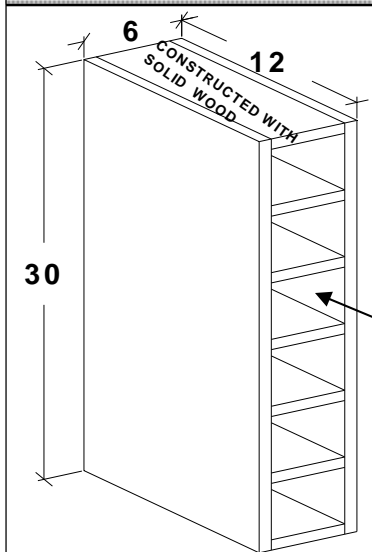
BFSR does not come with attached appliqué as shown, ordered separately.

For Flush toe applications add mod 10.



Wall Cabinets accessories

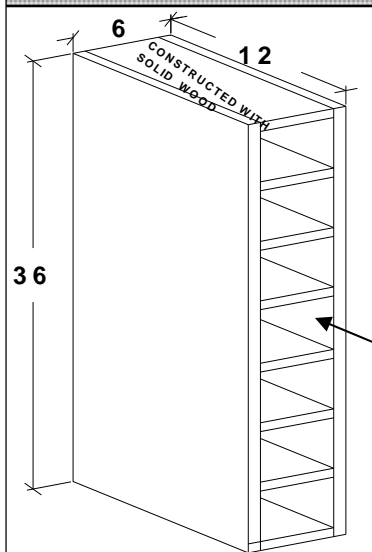
Wall wine cube 30" Tall - FRAMED AND FRAMELESS



The sides and shelves are made from $\frac{3}{4}$ " thick material with a $\frac{1}{4}$ " plywood back. Shelves are evenly spaced. Standard cabinets cannot be modified. If a different size is needed cabinet must be quoted. All exposed parts are finished with the exception of the back.

Cabinet	List cost
WWC30	442

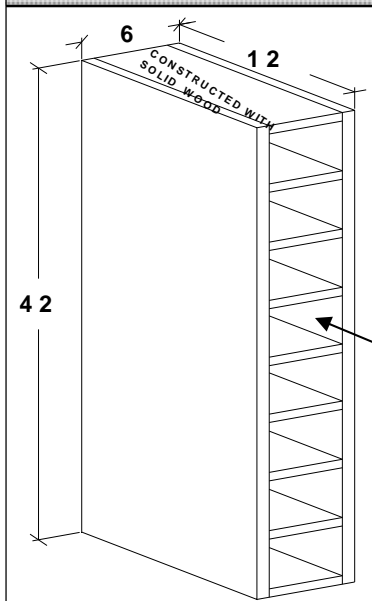
Wall wine cube 36" Tall - FRAMED AND FRAMELESS



The sides and shelves are made from $\frac{3}{4}$ " thick material with a $\frac{1}{4}$ " plywood back. Shelves are evenly spaced. Standard cabinets cannot be modified. If a different size is needed cabinet must be quoted. All exposed parts are finished with the exception of the back.

Cabinet	List cost
WWC36	489

Wall wine cube 42" Tall - FRAMED AND FRAMELESS

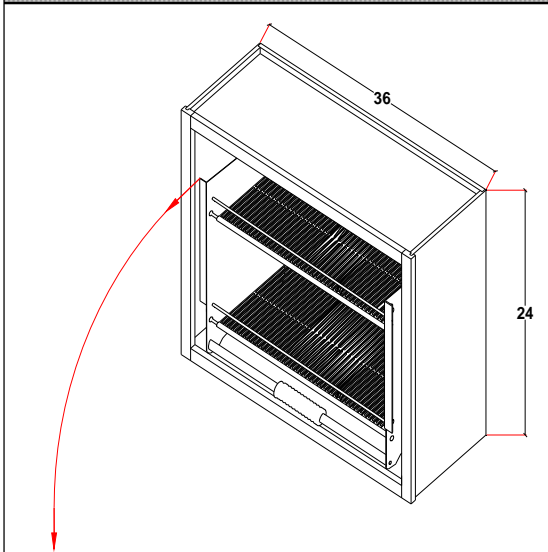


The sides and shelves are made from $\frac{3}{4}$ " thick material with a $\frac{1}{4}$ " plywood back. Shelves are evenly spaced. Standard cabinets cannot be modified. If a different size is needed cabinet must be quoted. All exposed parts are finished with the exception of the back.

Cabinet	List cost
WWC42	538

Wall Cabinets accessories

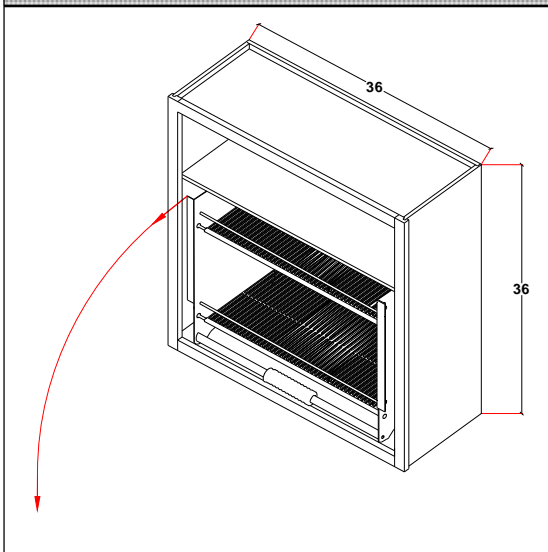
Wall pull down shelf system 24" Tall - **FRAMED AND FRAMELESS**



Cabinet	List cost
W1PDSS2424	842
W1PDSS3624	972

(Subject to availability)

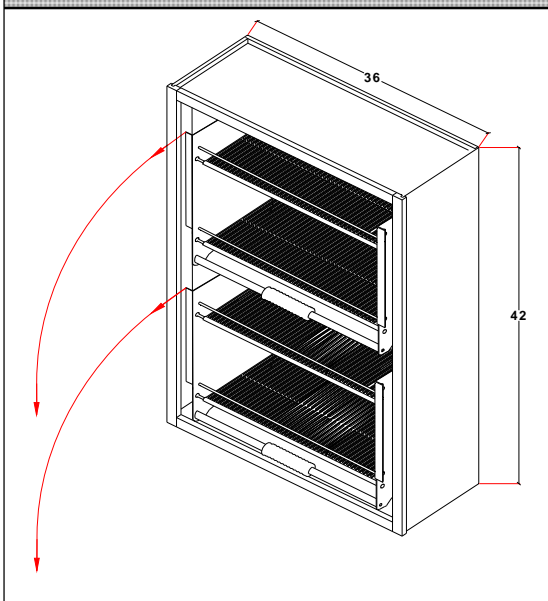
Wall pull down shelf system 36" Tall - **FRAMED AND FRAMELESS**



Cabinet	List cost
W1PDSS2436	1009
W1PDSS3636	1186

(Subject to availability)

Wall pull down shelf system 42" Tall - **FRAMED AND FRAMELESS**



Cabinet	List cost
W2PDSS2442	1557
W2PDSS3642	1774

(Subject to availability)