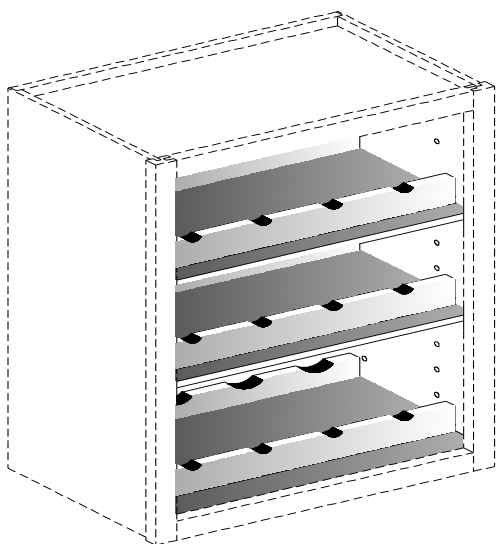


Wall Cabinets accessories

Shelf wine rack



Specify left or right

Adjustable. Limited to 1" increments on spacing

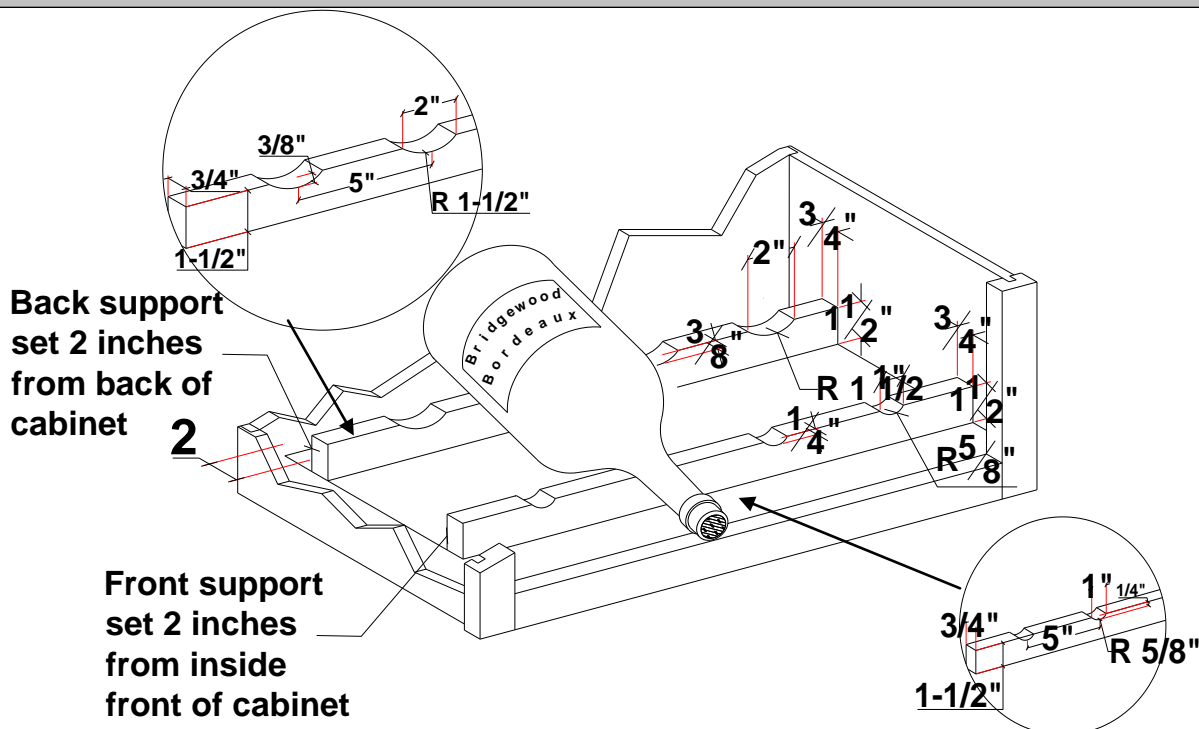
Minimum width cabinet is 9"

Maximum width cabinet is 36"

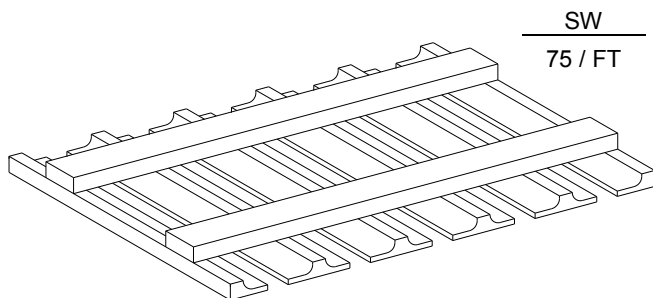
To change to non-adjustable (fixed) shelves add 176.00 to price of cabinet.

If cabinet is modified over 12" deep, rack will be flushed to front of shelf. If this is not what is desired then a CQC must be generated.

Acc.	List cost
SWR-A	265 ea
SWR-F	265 ea + 176 per cabinet



Stemware Rack



SW
75 / FT

Priced by linear foot ONLY, up to next whole foot.

NOTE: The stemware rack will be sized according to the dimensions of your cabinet

When entering into the E-catalog program the width refers to the o/a depth and the height refers to the o/a width of the cabinet.